

two-piece, »FUTURA« series

Two-piece service units with excellent flow rates in modern design.

Lockable diaphragm pressure regulator with secondary ventilation, oil can be filled without interrupting operation.

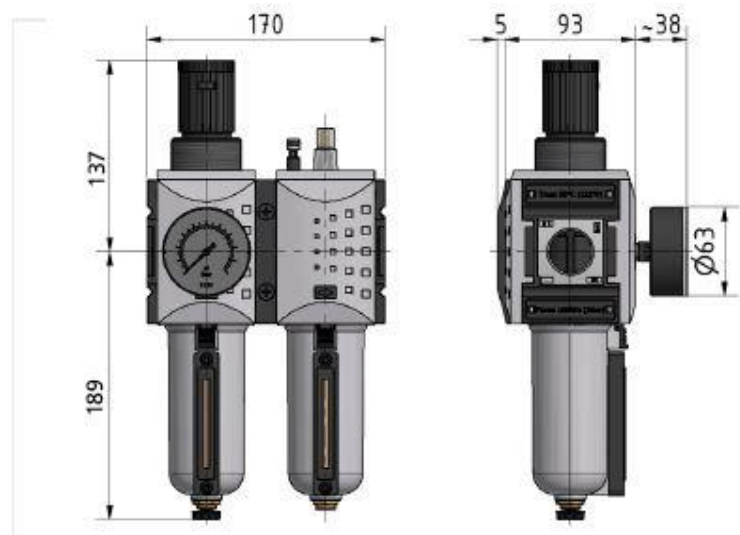
Input pressure	1.5 - 16 bar
Temperature range	-10 °C to 50 °C
Medium	Compressed air, neutral gases
Housing	PA66 GF60
Connecting thread	Material: Die-cast zinc
Filter element	Cellpor (PE)
Filter rating	5 µm
Sight dome	PC
Sealant	NBR
Diaphragms	NBR
Flow rate measurement	At P ₁ = 10 bar, P ₂ = 6.3 bar and pressure drop Δp = 1 bar

Service unit, 2-piece with metal bowl, sight glass and pressure gauge

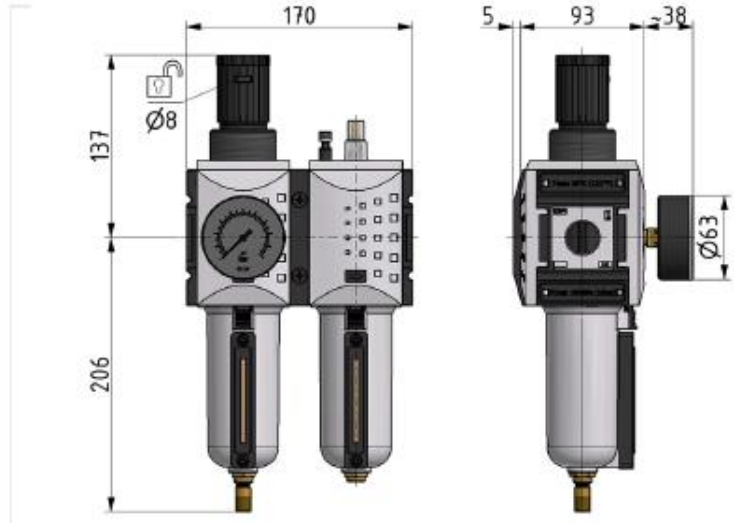
Art. No.	Type No.	Thread	Size	Control range bar	Pressure gauge display bar	Flow rate l/min	Condensate drain
152406	FU 605-M-1	G 3/4	4	0.1 - 1	0 - 1.6	12000	Semi-automatic
152407	FU 605-M-2	G 3/4	4	0.1 - 2	0 - 2.5	12000	Semi-automatic
152408	FU 605-M-4	G 3/4	4	0.2 - 4	0 - 6	12000	Semi-automatic
152409	FU 605-M	G 3/4	4	0.5 - 8	0 - 10	12000	Semi-automatic
152410	FU 605-M-10	G 3/4	4	0.5 - 10	0 - 16	12000	Semi-automatic
152411	FU 605-M-16	G 3/4	4	0.5 - 16	0 - 25	12000	Semi-automatic
152412	FU 606-M-1	G 1	4	0.1 - 1	0 - 1.6	12000	Semi-automatic
152413	FU 606-M-2	G 1	4	0.1 - 2	0 - 2.5	12000	Semi-automatic
152414	FU 606-M-4	G 1	4	0.2 - 4	0 - 6	12000	Semi-automatic
152415	FU 606-M	G 1	4	0.5 - 8	0 - 10	12000	Semi-automatic
142416	FU 606-M-10	G 1	4	0.5 - 10	0 - 16	12000	Semi-automatic
142417	FU 606-M-16	G 1	4	0.5 - 16	0 - 25	12000	Semi-automatic
152442	FU 615-M-1	G 3/4	4	0.1 - 1	0 - 1.6	12000	Fully-automatic
152443	FU 615-M-2	G 3/4	4	0.1 - 2	0 - 2.5	12000	Fully-automatic
152444	FU 615-M-4	G 3/4	4	0.2 - 4	0 - 6	12000	Fully-automatic
152445	FU 615-M	G 3/4	4	0.5 - 8	0 - 10	12000	Fully-automatic
152446	FU 615-M-10	G 3/4	4	0.5 - 10	0 - 16	12000	Fully-automatic
152447	FU 615-M-16	G 3/4	4	0.5 - 16	0 - 25	12000	Fully-automatic
152448	FU 616-M-1	G 1	4	0.1 - 1	0 - 1.6	12000	Fully-automatic
152449	FU 616-M-2	G 1	4	0.1 - 2	0 - 2.5	12000	Fully-automatic
152450	FU 616-M-4	G 1	4	0.2 - 4	0 - 6	12000	Fully-automatic
152451	FU 616-M	G 1	4	0.5 - 8	0 - 10	12000	Fully-automatic
152452	FU 616-M-10	G 1	4	0.5 - 10	0 - 16	12000	Fully-automatic
152453	FU 616-M-16	G 1	4	0.5 - 16	0 - 25	12000	Fully-automatic

Accessories / spare parts

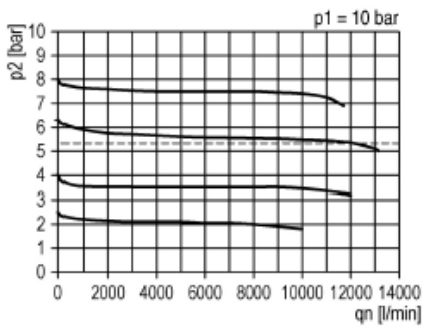
Art. No.	Type No.	Description
100048	H 854	Mounting bracket, incl. 2 screws
100049	WK 103	Wall bracket, incl. 2 screws
100050	KP 300	Joiner set, incl. 2 screws
100140	BSF 34	Polycarbonate bowl, incl. bowl guard
100217	BSL 34	Polycarbonate bowl, incl. bowl guard for oiler
100141	MF 34	Metal bowl, incl. sight glass
100218	ML 34	Metal bowl, incl. sight glass for oiler
100142	BSF 34-A	Polycarbonate bowl with automatic drain valve
100143	MF 34-A	Metal bowl, incl. sight glass, with automatic drain valve
100037	SS 32	Key lock
135853	WK 104-34	Wall bracket with connection thread G 3/4
135854	WK 104-1	Wall bracket with connection thread G 1
100144	6141.6.905	Filter element 5 µm, cellpor
100214	901.7.990	Sight dome, polycarbonate
100051	22.71110.4	Seal kit for pressure regulator
100362	655.6.900	Automatic drain valve

Semi-automatic:


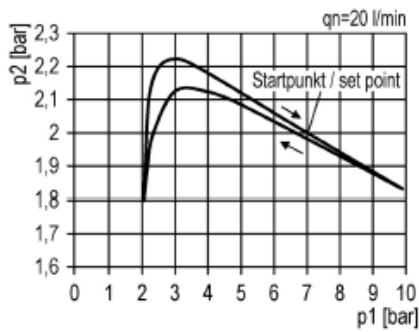
Fully-automatic:



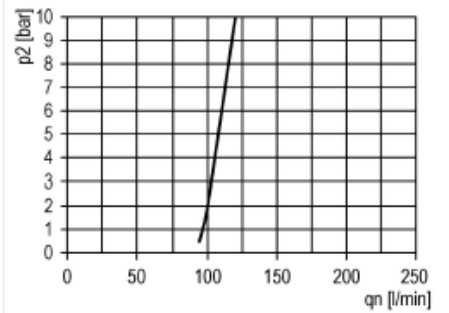
flow characteristic



pressure characteristic



lubricator operating limit



symbol

